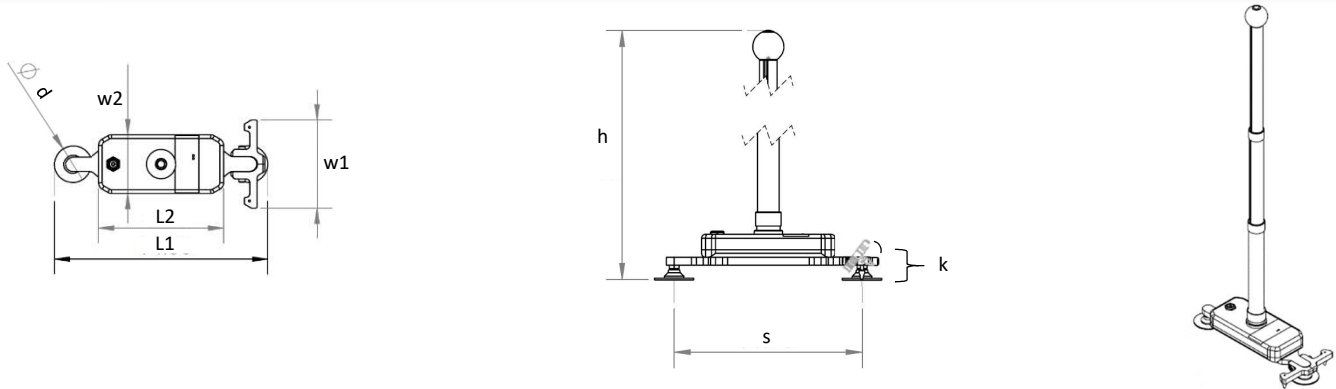


# AXIOM Technical Datasheet

MULTI-FUNCTIONAL INCLINE MEASURING DATA COLLECTION, STORAGE, AND SHARING DEVICE

## SCHEMATIC



## GENERAL

Units mm (in)

Accuracy: $\pm 25$ arcseconds	L1: 368 (14.5)	w1: 152 (6)	h: Adjustable 406 (16) to 940 (37)
Operating Temp: -40C -125C	L2: 216 (8.5)	w2: 101 (3.98)	s: 304.8 (12), 300 (11.81), 250 (9.84) **
Anodized Aluminum & Stainless Steel		d: 64 (2.5)	k: Interchangeable Feet/Legs With Kickstand

## SENSORS Parameter

### Condition

### Value

### Units

Measuring Range	Nominal	$\pm 15$	$^{\circ}$
Frequency Responses	-3dB LP	8-28	Hz
Sensitivity	Between 0...1 $^{\circ}$	280	mV/ $^{\circ}$
Non-linearity		$\pm 0.057$	$^{\circ}$
Resolution	Digital	0.009	$^{\circ}$ /LSB
	Analog	0.001	$^{\circ}$
Measurement Axis	Dual Axis	X, Y	
High Shock Durability	1m Drop on Concrete	20000	g
Temperature Compensation		-40 to 125	C
Type	MEMS		

## PROCESSOR Parameter

### Value

### Units

Core Size		32	bit
Program Memory Type/Size	ROM	32	KB
Oscillator Type	Internal		
Speed		80	MHz
RAM Size		32Kx8	

## COMMUNICATION

Full qualified Bluetooth Module	2.1/2.0/1.2/1.1
Low Power	
Auto-discovery/pairing	LED indicators for status/connection
Specified Radio Equipment marking number	R201-125709
FCC ID	T9J-RN42

## OTHER FEATURES

Measure Trigger Button:	ON TOUCHSCREEN	AND ON HANDLE	Imperial/Metric Units
Collapsible Handle		Batteries: DC 6 AA	25 Hrs Continuous Use
Field Calibration		**Foot Spacing: 12in, or 300mm & 250mm, or customize	Low Batt. Indicator